

DLH-10331R-E (Electronic)

12V Low Voltage, Max. 50W MR-16

3" NON-IC Type Shallow Housing For Remodeling

Catalog #		Type
Project		Date
Prepared by		

HALOGEN

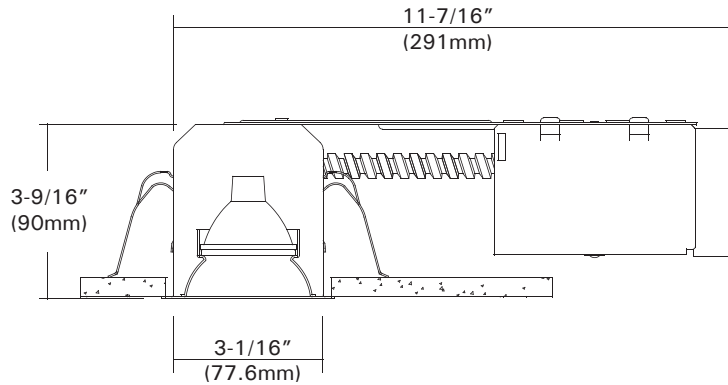


DESCRIPTION

The DLH-10331R-E is a 3" aperture low voltage housing for accent and task lighting.

APPLICATION

The DLH-10331R-E is designed for use in both non-insulated and insulated existing low ceiling spaces. Insulation material must be kept a minimum of 3" from all sides of the housing and it can be installed from below the ceiling.



DESIGN FEATURES

Ceiling Cut-out : 3-3/8"
Lamp, Max, Watt. : 50W

◦ Housing

- Single wall aluminum housing.
- 3-9/16" height allows use in 2"X6" joist construction.
- Housing adjusts for ceilings up to 1/2" thick.

◦ Junction Box

- Listed for through branch circuit wiring. (Max. 8 No 12 AWG 90°C branch circuit conductors. (4 in, 4 out)
- (5) 1/2" knockouts with true pry-out slots and (4) knockouts with Romex cable clamp.
- Ground wire provided on J-box.

◦ Socket

- Ceramic socket with aluminum heat shield for Bi Pin MR16 lamps.

◦ Remodel Clips

- 3 remodel clips secure housing and accommodates 1/2" and 5/8" ceiling materials.

◦ Lamp

- One 12V, 50W MR16 lamp. - See trim page for more details.

◦ Transformer

- 120V electronic transformer steps line voltage down to lamp operating voltage for lamps up to 75W.
- Available 277V-12V transformer.

◦ Thermal Protector

- Self-resetting thermal detector deactivates fixture if overheating occurs due to improper lamping or insulation.

◦ Optional "Quick Connect" Push-in wire connectors.

- Three "Quick Connectors"
- Pre-installed push-in wire connectors fast and easy wiring.

Trims

3" Halogen Trims For

DLH-1031, DLH-1031R, ICH-1031AT, DLH-10331, DLH-10331R

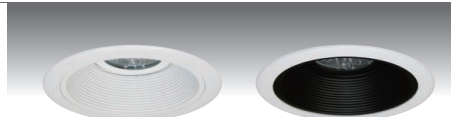
Catalog #		Type
Project		Date
Prepared by		

HALOGEN

TMH-3241B

Adjustable Baffle
50W 12V MR16

White Metal Trim Ring
O.D : 3-5/8"



TMH-3241B-WH

TMH-3241B-BK

TMH-3281

Gimbal
50W 12V MR16

White Metal Trim Ring
O.D : 3-5/8"



TMH-3281-WH

TMH-3241R

Adjustable Reflector
50W 12V MR16

White Metal Trim Ring
O.D : 3-5/8"



TMH-3241R-CL

TMH-3241R-WH

TMH-3841E

Eyeball
50W 12V MR16

White Metal Trim Ring
O.D : 3-5/8"

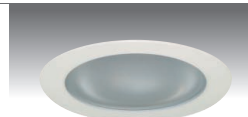


TMH-3841E-MO

TMH-3171

Shower Frosted Flat Lens
35W 12V MR16

White Metal Trim Ring
O.D : 3-5/8"

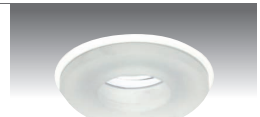


TMH-3171-WH

TMH-3251E

Decorative Frosted Glass
50W 12V MR16

White Metal Trim Ring
O.D : 3-5/8"



TMH-3251E-WH

ORDERING INFORMATION

Choose the catalog / finish codes that best suit your needs and enter it on the appropriate line.

TRIM MODEL	REFLECTOR	BAFFLE	METAL RING
	CL :Clear	WH :White	WH :White
	WH :White	BK :Black	BK :Black
	GD :Gold	SN :Satin Nickel	SN :Satin Nickel
	MA :Matte Platinum	AN :Antique Nickel	AN :Antique Nickel
	CP :Champagne	AC :Antique Copper	AC :Antique Copper
	PR :Pewter	MO :Mocha	MO :Mocha
	HC :Haze Clear	CA :Cappuccino	CA :Cappuccino
		CH :Chrome	CH :Chrome
		UN :Natural Steel	UN :Natural Steel
		PB :Polished Brass	PB :Polished Brass

Examples:

TMH-3241C-BK-BK = Black Trim Ring w/ Black Reflector

TMH-3171-PB = Polished Brass Gimbal Ring w/ Frosted Lens